

Staybrite 300mm Double Wall Shelves

Staybrite 300mm Double Wall Shelves



WS-1800D



WS-1200D

Features & Benefits

- More cost effective in applications where 2 shelves are required
- Tops made from 1.2mm 304 Grade Stainless Steel
- 2 x 2mm stainless steel brackets with provision for hanging spoons & ladles, (3 brackets with WS-1800D, WS-2100D & WS-2400D)
- 50mm upstand
- Supplied flat packed ready for assembly and fitting
- Made in New Zealand
- Easy to clean & maintain

About

The Staybrite wall shelves are manufactured in New Zealand from 1.2mm thick stainless steel in commercial grade 304 in a No. 4 finish. The shelves are 300mm wide and are available in 7 standard sizes. Custom lengths to suit your application can also be manufactured (consult Staybrite). They are of top quality & ideal for use in busy commercial kitchens, restaurants, supermarkets, cafes and rest homes.

Product Code

- WS-0600D - Double Wall Shelf 600x300x32mm
- WS-0900D - Double Wall Shelf 900x300x32mm
- WS-1200D - Double Wall Shelf 1200x300x32mm
- WS-1500D - Double Wall Shelf 1500x300x32mm
- WS-1800D - Double Wall Shelf 1800x300x32mm
- WS-2100D - Double Wall Shelf 2100x300x32mm
- WS-2400D - Double Wall Shelf 2400x300x32mm

Specifying Guide

When specifying this product please include:
Product Name and Code. Product Dimensions

Options

Product length - available in: 600mm
900mm, 1200mm, 1500mm, 1800mm
2100mm & 2400mm standard lengths

STAYBRITE STAINLESS FABRICATORS



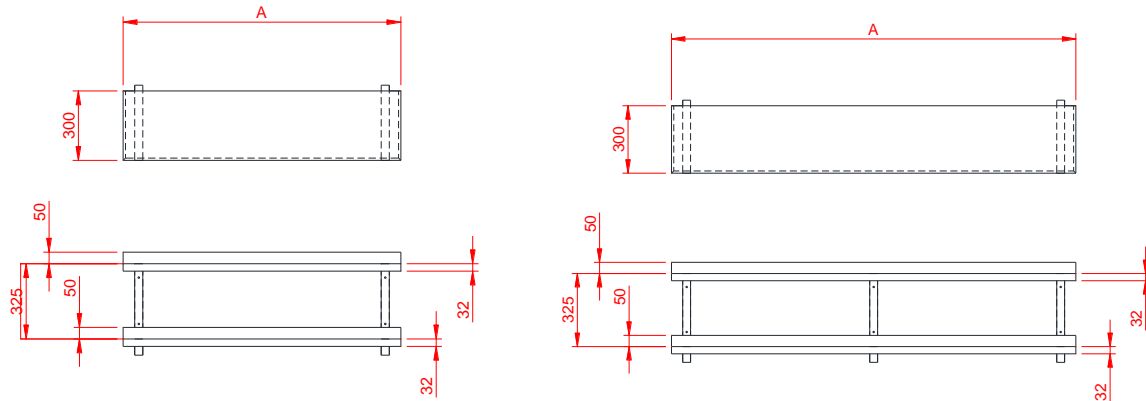
Auckland Branch:
13A Sultan St, Ellerslie
Auckland 1051
P: (09) 634 4557
F: (09) 634 4537

Christchurch Branch:
44 Treffers Rd. Sockburn,
Christchurch 8042
P: (03) 348 0733
F: (03) 348 9136

Postal Address:
PO Box 11-292,
Sockburn
Christchurch 8443

Drawings

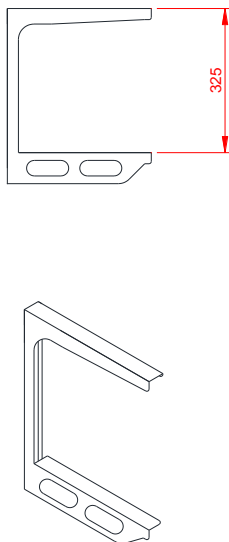
Plan View / Elevation



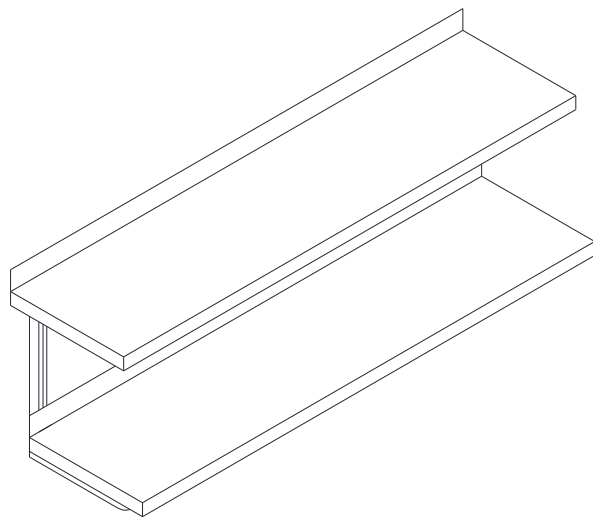
2 x Brackets for models WS-0600D,
WS-0900D, WS-1200D & WS-1500D

3 x Brackets for models WS-1800D,
WS-2100D & WS-2400D

Bracket Detail



Isometric



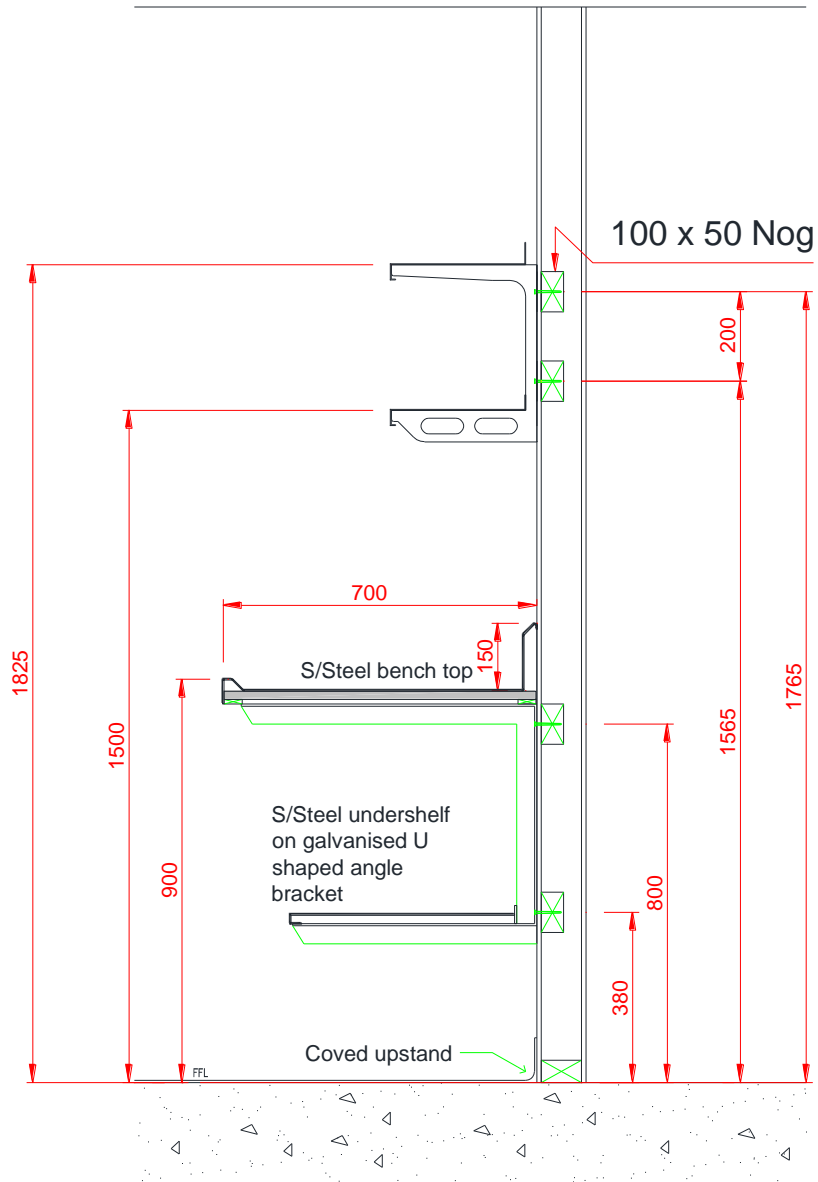
STAYBRITE STAINLESS FABRICATORS



Due to ongoing research and our commitment to product development, details are subject to change without notice. Details accurate at time of print. Please refer to www.staybritestainless.co.nz for the most current product information. allow +/- 5mm tolerance for dimensions and setouts shown in product literature.

NZ Toll Free 0800 610 610 | e-mail: sales@staybritestainless.co.nz | <http://www.staybritestainless.co.nz>

Noggin Details



Double Shelf Noggin details



STAYBRITE STAINLESS FABRICATORS

Due to ongoing research and our commitment to product development, details are subject to change without notice. Details accurate at time of print. Please refer to www.staybritestainless.co.nz for the most current product information. allow +/- 5mm tolerance for dimensions and setouts shown in product literature.