

Staybrite Cleaners Sinks



Model CLNSK
Staybrite Standard Cleaners Sink



Model CLNSK-RHU
Cleaners Sink+ RH Upstand



Model CLNSK-LHU
with BG-CLNSK fitted

Please note that the wall brackets may differ from those pictured in the photographs

Staybrite Cleaners Sinks

STAYBRITE STAINLESS FABRICATORS



Auckland Branch:
13A Sultan St, Ellerslie
Auckland 1051
P: (09) 634 4557
F: (09) 634 4537

Christchurch Branch:
44 Treffers Rd. Sockburn,
Christchurch 8042
P: (03) 348 0733
F: (03) 348 9136

Postal Address:
PO Box 11-292,
Sockburn
Christchurch 8443

NZ Toll Free 0800 610 610 | e-mail: sales@staybritestainless.co.nz | <http://www.staybritestainless.co.nz>

Staybrite Cleaners Sinks

Features & Benefits

- Tub made from 1.2mm 304 Grade Stainless Steel
- Integral 460mm splashback
- 2 x 2mm stainless steel brackets
- 90mm round basket waste
- Optional bucket grid
- Supplied flat packed ready for assembly and fitting
- Made in New Zealand
- Easy to clean & maintain

About

The Staybrite Cleaners Sink consists of an extra-large 304 grade stainless steel tub (450x560x230mm D) which is designed for installation in industrial workshops, sports facilities, school bathrooms, hospitals, care facilities and early childhood education facilities.

The standard Cleaners Sink (Model CLNSK) includes a 460Hx550W upstand with a bevelled edge to the rear which is designed to be fixed to the wall with UHB tape (supplied). This overlaps a 20mm upstand which is welded to the bowl ensuring a watertight seal and tidy finish. An optional robust stainless steel hinged grid (Model BG-CLNSK) for support and storage of buckets is available and this can be retrofitted to existing cleaners sinks. A round overflow to is fitted to the left rear radius.

Corner versions of the cleaner's sinks are also available, Model CLNSK-LHU - Cleaners Sink+ LH Upstand and CLNSK-RHU - Cleaners Sink+ RH Upstand

Product Code

- CLNSK Staybrite Standard Cleaners Sink
- CLNSK-LHU - Staybrite Cleaners Sink+ LH Upstand
- CLNSK-RHU - Staybrite Cleaners Sink+ RH Upstand

Specifying Guide

When specifying this product please include:
Product Name and Code.

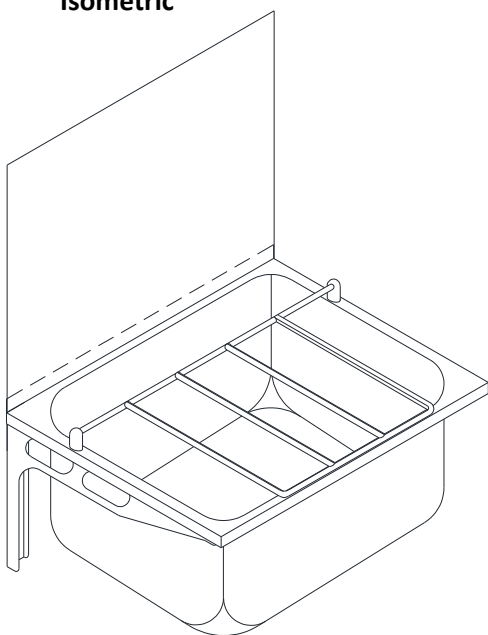
Options

- BG-CLNSK - Cleaners Sink Bucket Grid

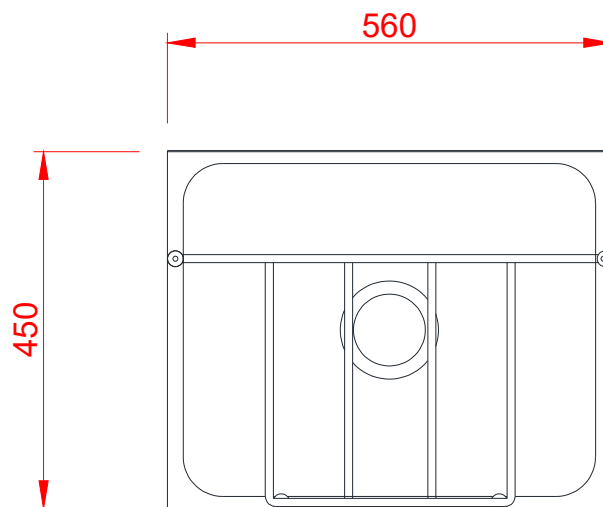


BG-CLNSK - Cleaners Sink Bucket Grid

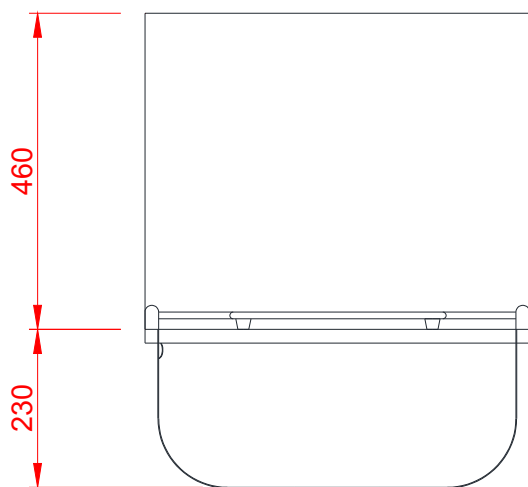
Isometric



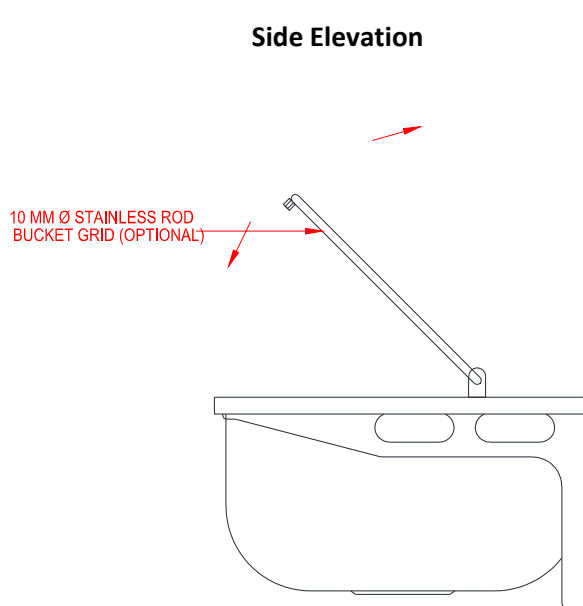
Top View



Front Elevation



Side Elevation



STAYBRITE STAINLESS FABRICATORS



Due to ongoing research and our commitment to product development, details are subject to change without notice. Details accurate at time of print. Please refer to www.staybritestainless.co.nz for the most current product information. allow +/- 5mm tolerance for dimensions and setouts shown in product literature.